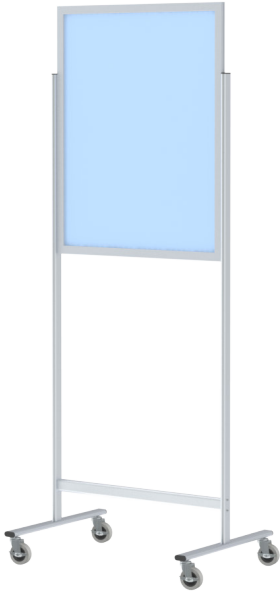
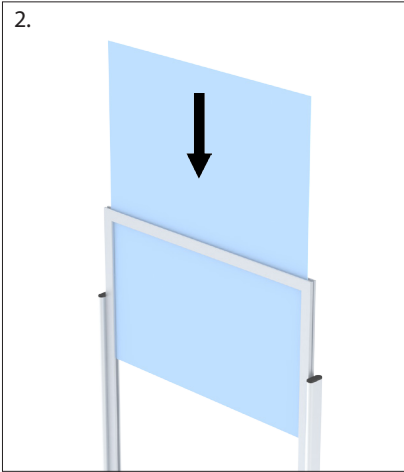
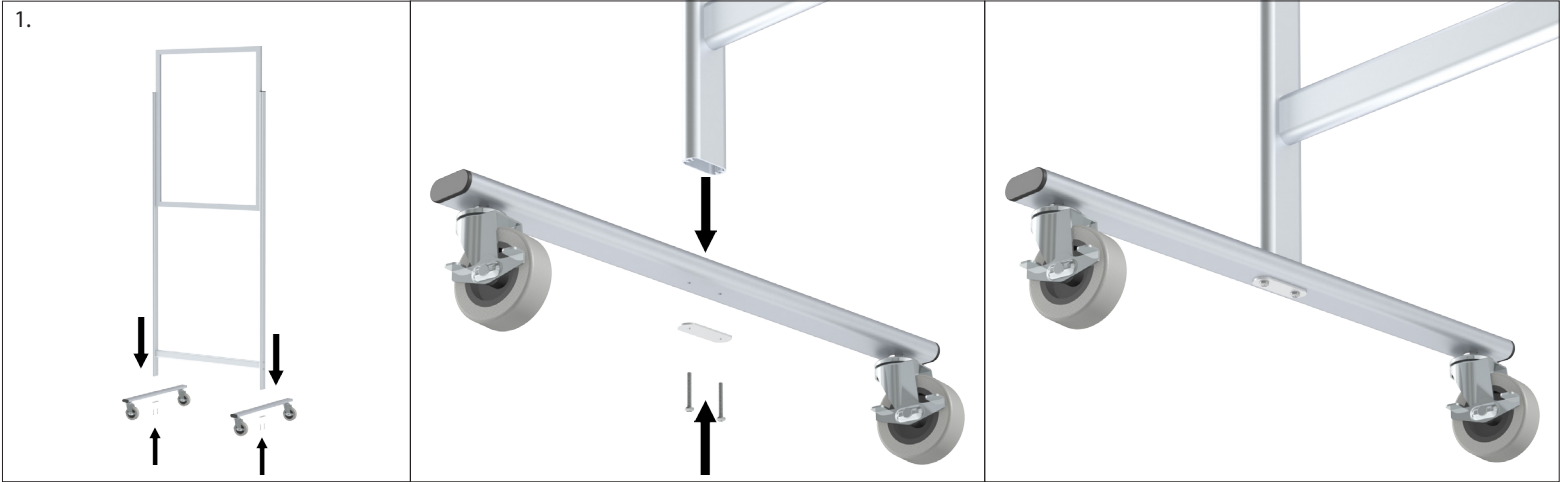


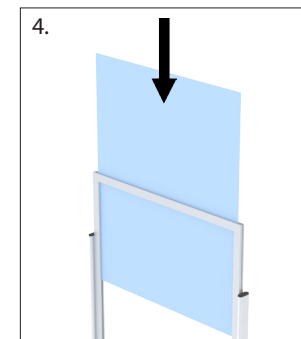
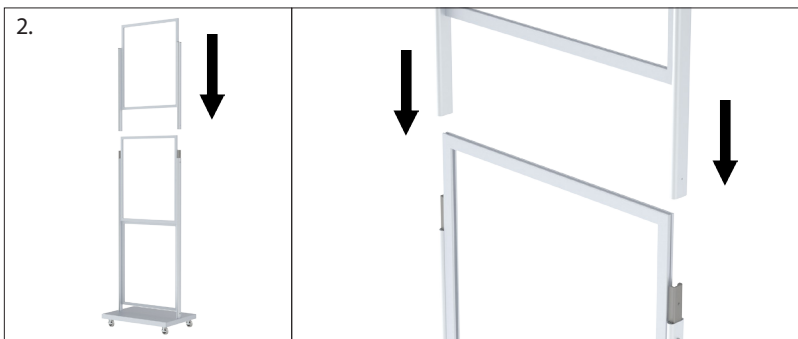
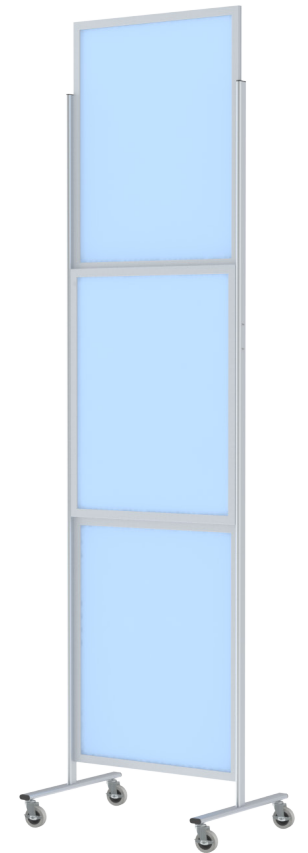
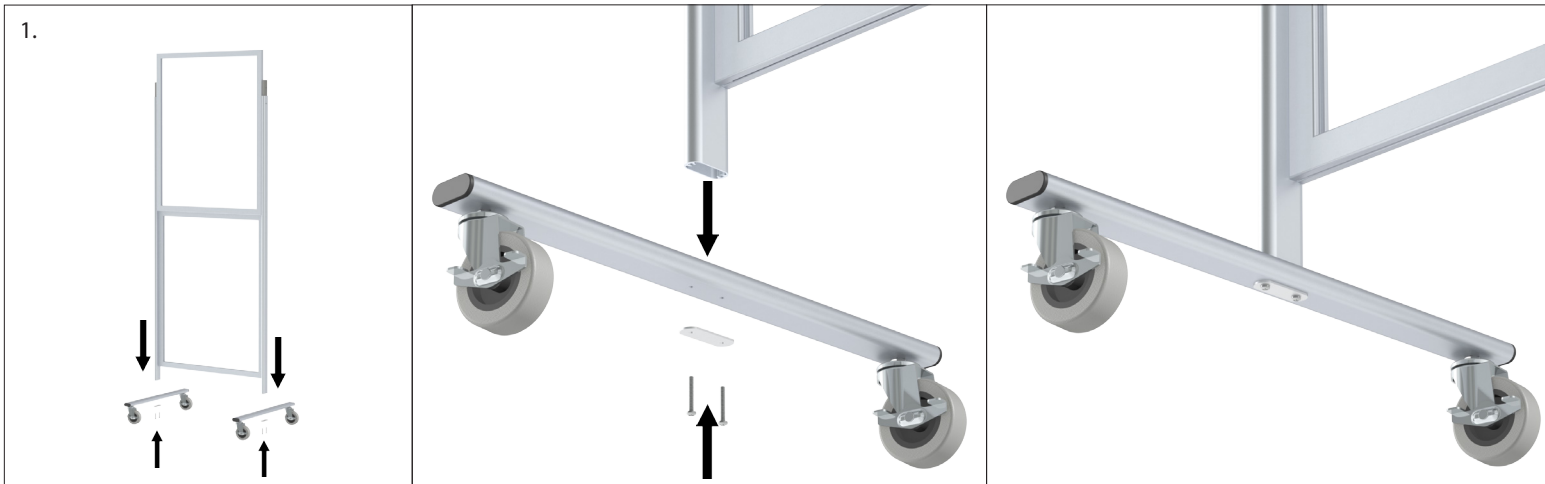
Secretariat Roll Around™ - TS Series 65" Tall

- 1. Connect the uprights to the base sections using the provided screws and washer plates.
Make sure to fully tighten the screws. Do not over tighten.
- 2. Insert the graphic(s).



Secretariat Roll Around™ - TS Series 94" Tall

1. Connect the uprights to the base sections using the provided screws and washer plates.
Make sure to fully tighten the screws. Do not over tighten.
2. Slide the upper uprights over the lower uprights.
3. Connect the upper uprights using the provided screws.
4. Insert the graphic(s).



T3328 shown